

CAUTION!!!

Rear exhaust will melt brush strips!!!

Optional Heat Shield Recommendations

With a wide range of vehicles that are used for towing, Towtector is unable to test every possible vehicle for exhaust routing that causes burning of the brushes. We recommend that any vehicle with an exhaust outlet exiting straight back towards the rear bumper use a heat shield. After installation of the heat shield, a short test drive should reveal any burned or deformed brush strands surrounding the heat shield. If they are burned or deformed we offer the following remedies:

- A.) Relocate the heat shield if it is not centered or aligned with the exhaust outlet.
- B.) Move Towtector rearward from bumper for additional clearance. This may require a longer ball mount.

Disclaimer: Buyer assumes all risk and liability for the installation and use of any Rugged Gear product. Buyer is responsible for regular inspection of the product and for providing necessary maintenance and/or repairs. Rugged Gear does not warrant this product if it has been altered, misused or abused in any way. Rugged Gear does not warrant that this product will prevent 100% of rocks and debris from reaching the objects you are towing, tow vehicle or vehicles near your vehicle. Buyer is responsible for ensuring that brush strips do not contact road surface. Rugged Gear reserves the right to redesign or discontinue products at anytime without prior notice.

GUARANTEE

Rugged Gear products have a 60-day money-back guarantee. If you are not completely satisfied, return for a full refund.



(800) 784-4331

or (605)356-2491 · Fax (800)784-3268

Elk Point, SD 57025-9702 U. S. A.

e-mail: rgfrontdesk@ruggedgear.com

www.towtector.com

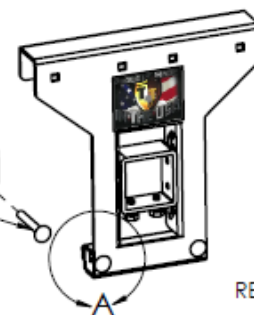
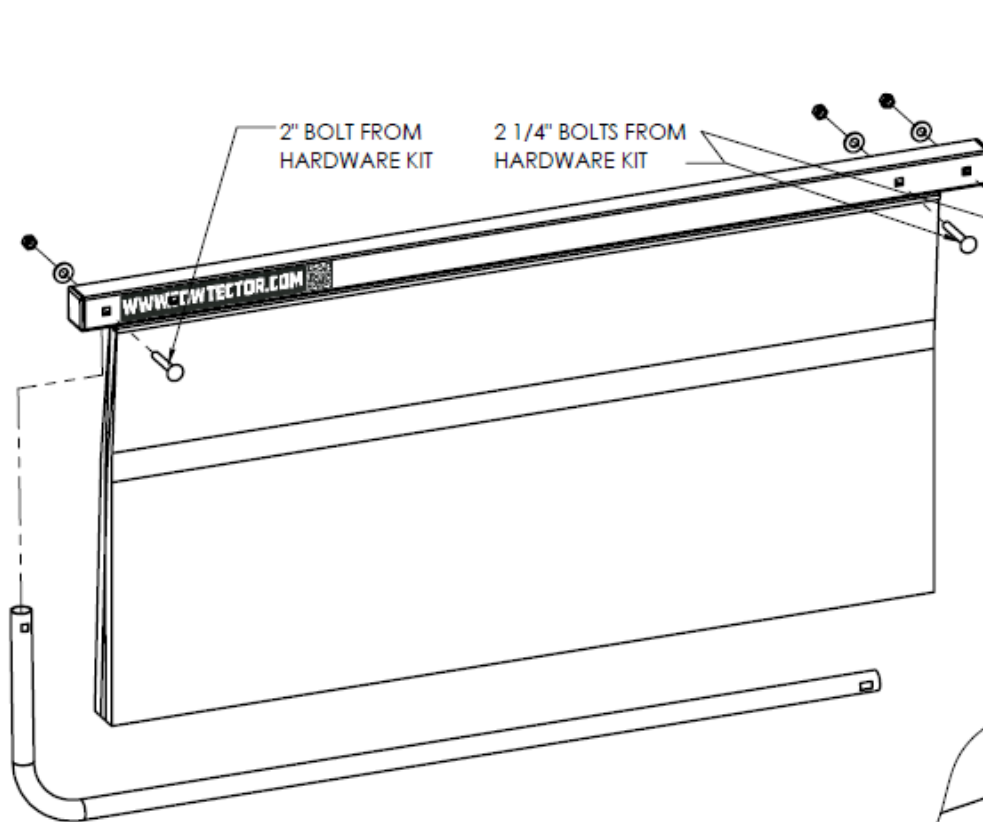


WWW.TOWTECTOR.COM

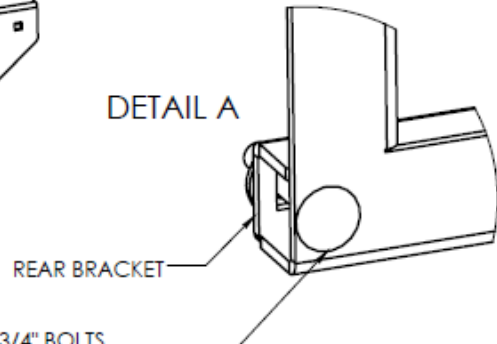
1-800-784-4331

Premium Adjustable Towtector Assembly Instructions





DETAIL A



REAR BRACKET

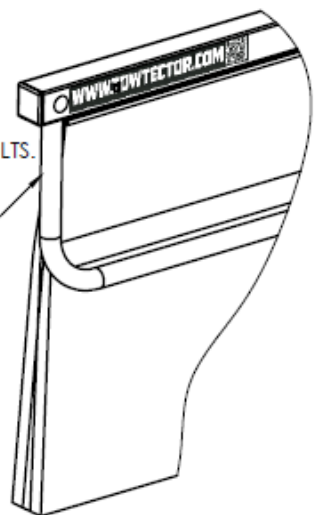
THESE 1 3/4" BOLTS
ALREADY IN SUB-ASSEMBLY

STEP 1A.

REMOVE REAR BRACKET FROM PRE-ASSEMBLED CENTER BRACKET TO ALLOW LOWER TUBE TO FIT.

STEP 1B.

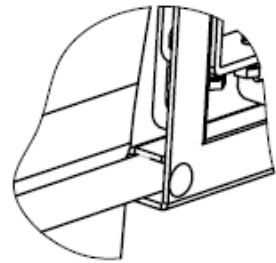
INSTALL LOWER TUBE INTO PRE-ASSEMBLED BRUSH BAR WITH 2" BOLT FROM HARDWARE KIT. ENSURE BRUSHES ARE BEHIND THE LOWER TUBE. THEN INSTALL COMPLETE UPPER AND LOWER TUBE SET INTO CENTER BRACKET WITH 2 1/4" BOLTS.



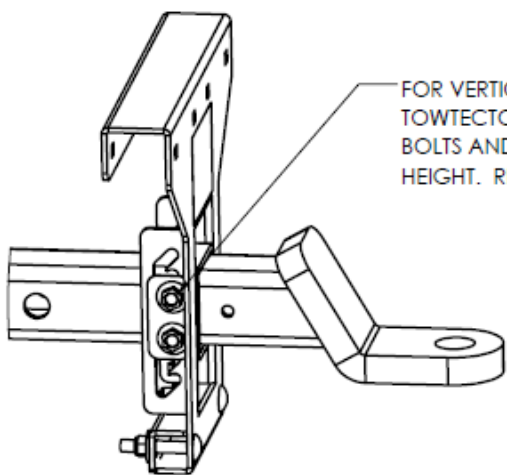
BRUSHES ARE BEHIND
THE LOWER TUBE.

STEP 1C.

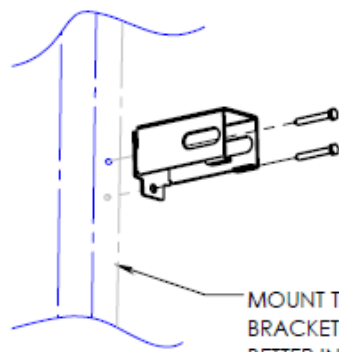
REPLACE REAR BRACKET AND 1 3/4" BOLT SUPPLIED WITH PRE-ASSEMBLED CENTER BRACKET.



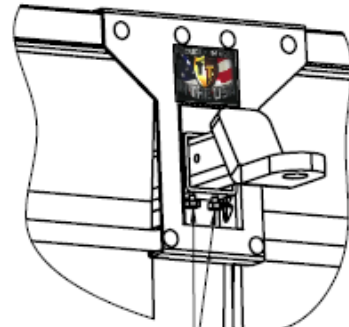
INSTALL OTHER SIDE USING THESE SAME STEPS.



FOR VERTICAL ADJUSTMENT OF
TOWTECTOR PREMIUM, LOOSEN 4
BOLTS AND POSITION TO DESIRED
HEIGHT. RE-TIGHTEN 4 BOLTS.



MOUNT THE WALL MOUNT
BRACKET ON 2X4 OR
BETTER INTERIOR STUD FOR
NON-USE STORAGE.



TIGHTEN TO
BALL MOUNT

STEP 2.

TIGHTEN UNDERSIDE BOLTS EVENLY TO (BALL MOUNT NOT INCLUDED.)